

Guidance *through* Mastery

Leatherette

When it comes to class, nothing can beat the allure of leather. Saviesa brings you an exclusive collection of wardrobe accessories, made in wood and metal, and clad in faux leatherette. Smartly designed organisers to offer the most efficient way of storage, and the rich look of leatherette gives it a super-luxurious feel. Practical, sustainable and minimalistic... these accessories will take your wardrobes to a whole new level.

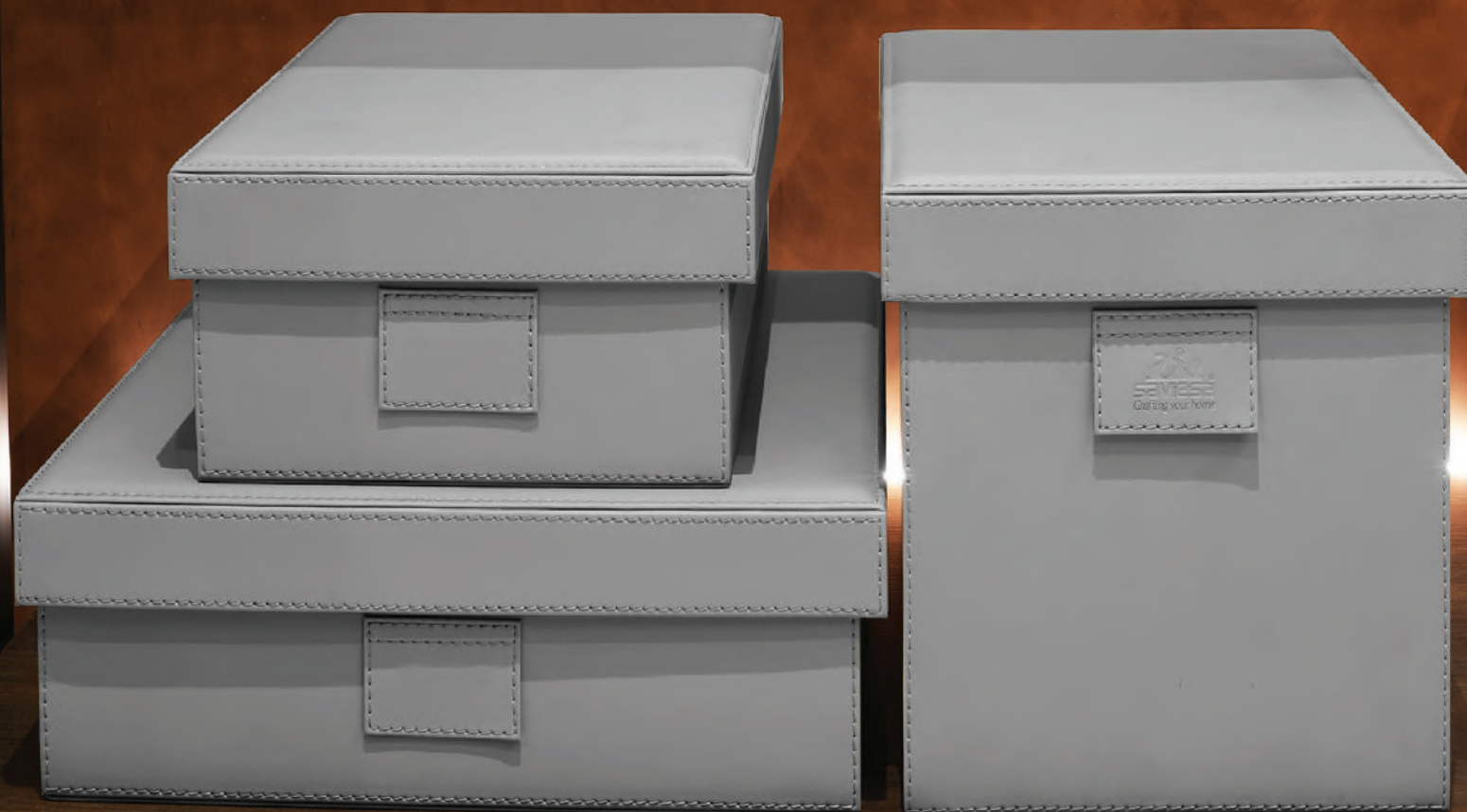


INDEX

01	SavvyBox	02
02	SavvyDrawer	07
03	SavvyOrganiser	12
04	SavvyMat	17
05	SavvyHanger	20
06	SavvyShutter	23
07	Shades	27

SavvyBox

SavvyBoxes come in handy when storing your occasionally used, but rather expensive belongings – be it clothes, purses, shoes or other accessories. Not only do the SavvyBoxes protect the items from damage, but they also help separate them from everyday items. This makes everything organised and so easy to access.



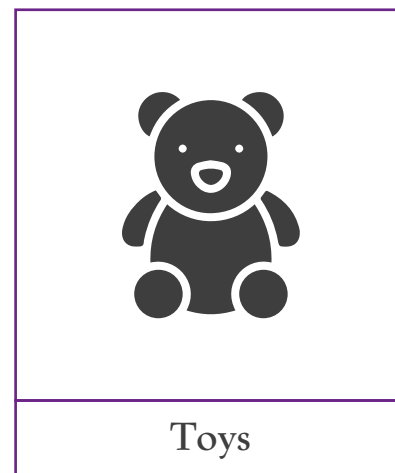
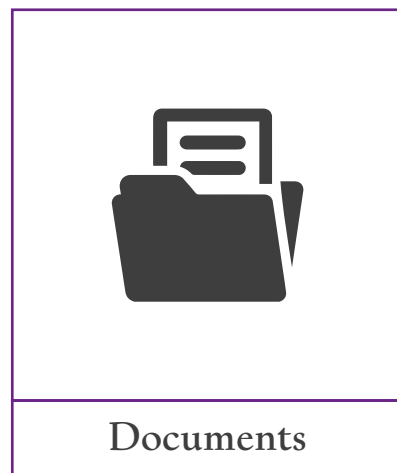
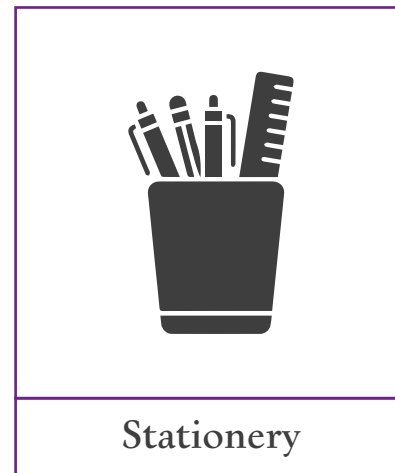
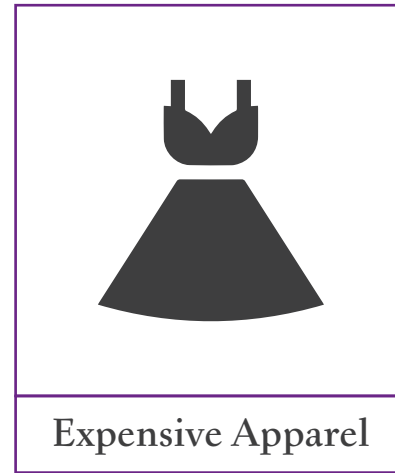


• SavvyBoxes make optimum use of the hard-to-reach places in your wardrobe.

The ideal place for SavvyBoxes is the top-most or the bottom-most shelf of your wardrobe. Things that you do not require every day, can be stored in SavvyBoxes and put away in lesser used spaces.

SavvyBoxes are space maximisers. Often times, the vertical space in a shelf gets wasted because you cannot stack items or clothes beyond a point, the SavvyBox can easily fill up this space, making optimum use of the available vertical space.

Store all of this and more:



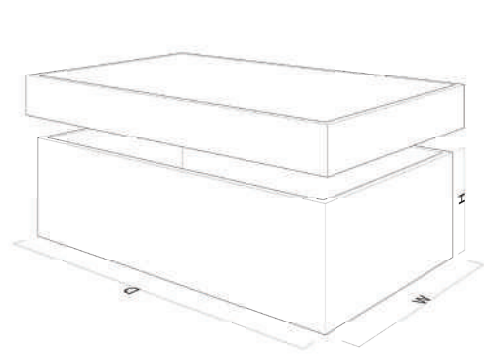
Store your occasionally used clothes and accessories in the SavvyBoxes, safely and conveniently.



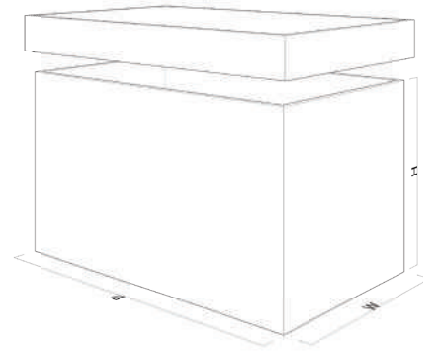
SavvyBox - Size Guide

SavvyBoxes are available in 2 different widths and 2 different heights. The standard sizes are made in such a way that they fit into any wardrobe.

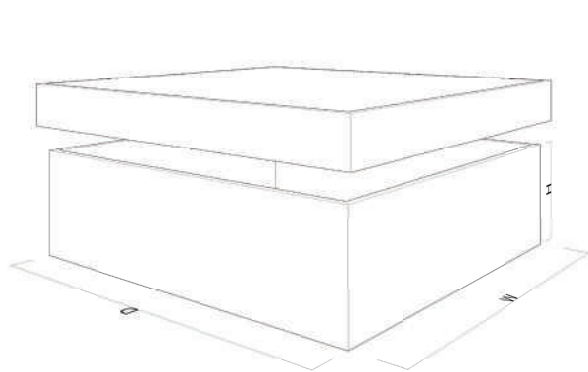
Even then, the SavvyBoxes can be fully customised according to the size you want upon special request.



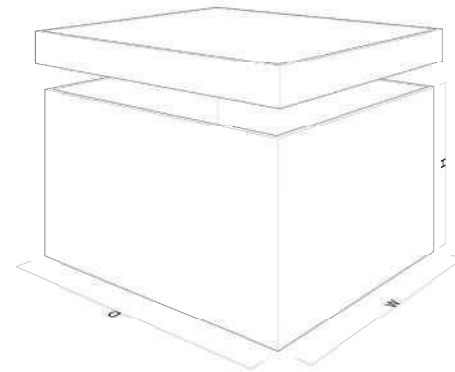
SavvyBox (W x D x H)
 Box Size (outer) – 260 x 450 x 125
 Box Size (inner) – 243 x 433 x 119
 Lid Size – 280 x 470 x 50
 Overall Size – 280 x 470 x 135



SavvyBox (W x D x H)
 Box Size (outer) – 260 x 450 x 255
 Box Size (inner) – 243 x 433 x 249
 Lid Size – 280 x 470 x 50
 Overall Size – 280 x 470 x 265



SavvyBox (W x D x H)
 Box Size (outer) – 400 x 450 x 125
 Box Size (inner) – 383 x 433 x 119
 Lid Size – 420 x 470 x 50
 Overall Size – 420 x 470 x 135



SavvyBox (W x D x H)
 Box Size (outer) – 400 x 450 x 255
 Box Size (inner) – 383 x 433 x 249
 Lid Size – 420 x 470 x 50
 Overall Size – 420 x 470 x 265





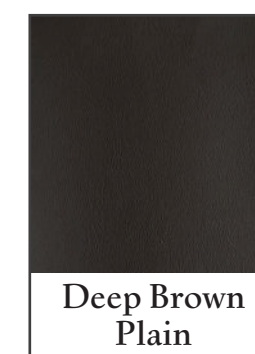
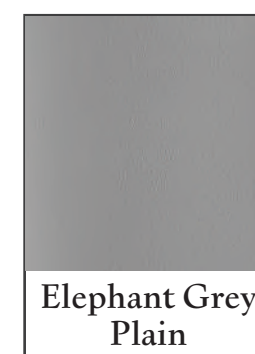
SavvyBox - Colour Guide

SavvyBoxes are readily available in 3 classic shades of grey, tan and brown leatherette.

Besides the 3 standard colours, there is a range of 17 exclusive options in plain, grain, woven and crocodile textures, in varied colours. These options are available on request. You can view our different groups of shades in leatherette on Page 27.

Other Specifications:

- Special Colours (Group I, II, III & IV) are available on request as per MOQ.
- Logo stamping is possible in Group I & II.



SavvyDrawer

SavvyDrawers are a must-have to give your haute couture, expensive gadgets or children's things, the exclusive space they deserve. Easy to remove and replace, the drawers are simple and have high utility. Lined with premium faux leather to protect your delicate silks and georgettes or gadgets and toys.





Place the SavvyDrawer at an arm's length

The ideal place for the SavvyDrawers is in the center of your wardrobe, where they are easy to access every day. You can place them on the shelves, or in pigeon holes, which gives a very aesthetic look.

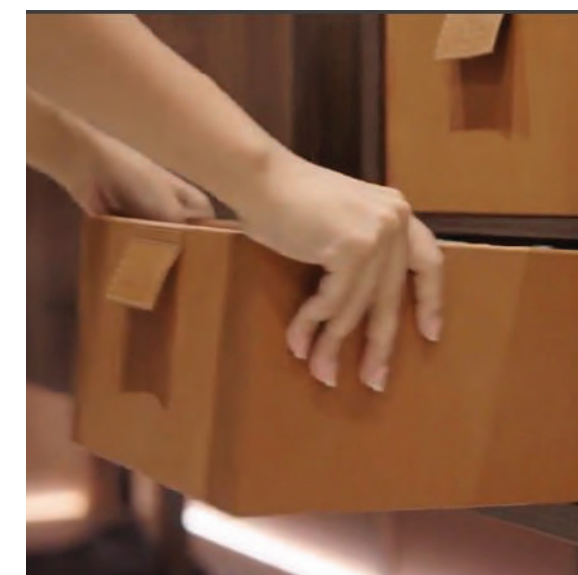
SavvyDrawers are great to fill gaps that normally go to waste, making optimum use of space.

You can store just about anything in the versatile SavvyDrawer

From your expensive clothes and gadgets, to your child's limitless essentials. The soft leatherette protects your precious items, and you can stack these drawers over each other, without damaging the contents.



All your valuable gadgets find a soft spot.



Remove, Use, Replace... SavvyDrawers are portable and convenient to use.



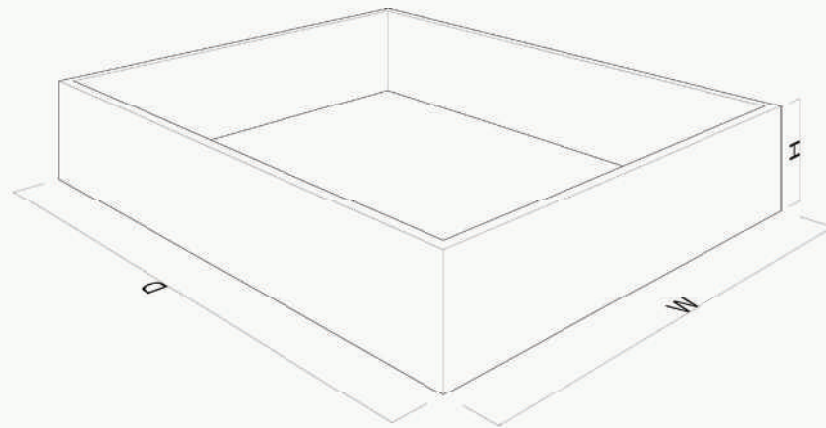
No more squashing and creasing your expensive shirts and dresses.



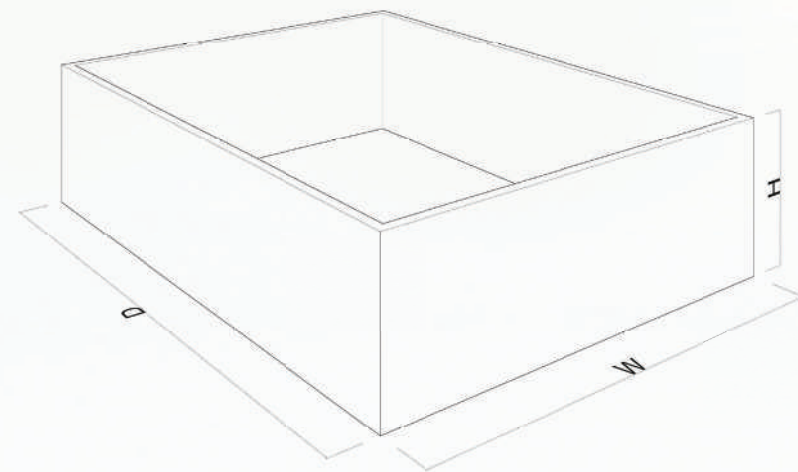
Toys and stationery now finally organised and easy to find.

SavvyDrawer - Size Guide

SavvyDrawers are available in 2 different sizes. The standard sizes are made in such a way that they fit into any wardrobe. Even then, the SavvyDrawers can be fully customised according to the size you need.



SavvyDrawers (W x D x H)
Box Size (outer) – 360 x 450 x 80
Box Size (inner) – 343 x 433 x 74



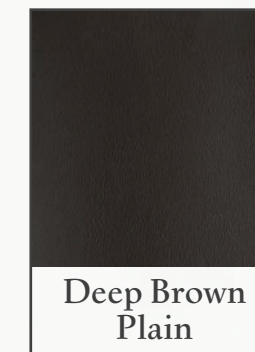
SavvyDrawers (W x D x H)
Box Size (outer) – 360 x 450 x 120
Box Size (inner) – 343 x 433 x 114



SavvyDrawer - Colour Guide

SavvyDrawers are readily available in 3 classic shades of grey, tan and brown leatherette.

Besides the 3 standard colours, there is a range of 17 exclusive options in plain, grain, woven and crocodile textures, in varied colours. These options are available on request. You can view our different groups of shades in leatherette on Page 27.



Other Specifications:

- Special Colours (Group I, II, III & IV) are available on request as per MOQ.
- Logo stamping is possible in Group I & II.



SavvyOrganiser (in Wood)

These intelligently designed drawer organisers store your jewellery and accessories with ease of access and style. From rings, earrings, and necklaces to watches, sunglasses, and belts, each has its uniquely designed space. Now, always find what you are looking for in a jiffy, and protect your valuables from damage due to disorganisation.





SavvyOrganiser

Be it a gentleman's drawer, a lady's drawer... or your little diva's, keep all the accessories in order, always.

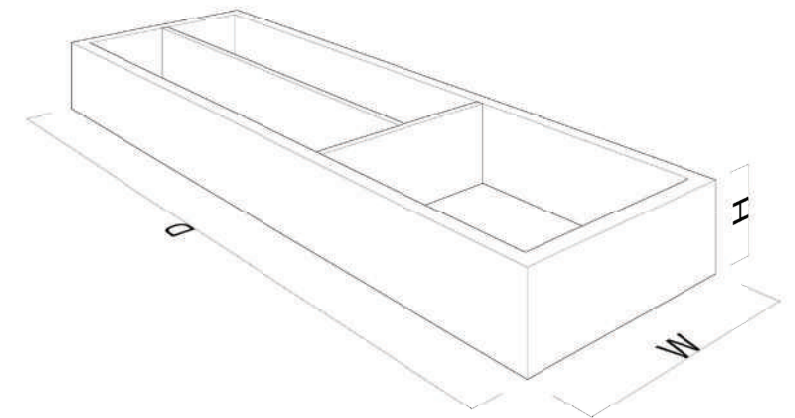


**SavvyOrganisers
are available in 4 different designs**



**SavvyOrganiser –
Size Guide**

SavvyOrganisers
are available in
2 different depths
as follows:



SavvyOrganiser (W x D x H)
Tray Size – 150 x 400 x 50
Tray Size – 150 x 450 x 50



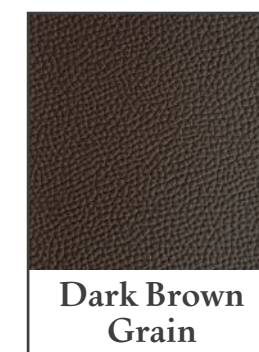
SavvyOrganiser - Colour Guide

SavvyOrganisers are readily available in 3 classic shades of grey, tan and brown leatherette.

Besides the 3 standard colours in grain, there is a range of 15 exclusive options in plain and crocodile textures, in varied colours. These options are available on request. You can view our different groups of shades in leatherette on Page 27.

Other Specifications:

- Special Colours (Group I, II & IV) are available on request as per MOQ.
- Logo stamping is possible in Group I & II.



SavvyOrganisers (in Metal and Wood)

A unique combination of metal and wood, set these SavvyOrganisers a class apart. Thinner walls, with an open back concept, to reveal the back of the drawer. Thus, giving it the aesthetic advantage of combining two complimenting finishes to create a unique look.

More on this unique product range will be



SavvyMat

The humble drawer mat has now got a stylish makeover in leatherette.

Available in matching colour and texture that complements the other organisers in the wardrobe. The SavvyMats will soon be the quintessential accessory to every modern wardrobe.



The SavvyMats are used on drawer bottoms, as well as on shelves to protect the surface as well as the items stored. Mats on the shelves complete the rich look of the wardrobe.



SavvyMat - Size Guide

Mats can be made in any size, according to the requirement in the wardrobe.



It's a good idea to match the SavvyMat to the SavvyOrganiser. So, the additional space created between the SavvyOrganisers, actually becomes an additional niche to hold items, without having another organiser to fill up the space.

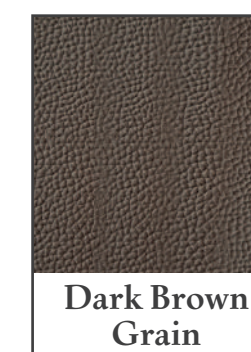
SavvyMat - Colour Guide

SavvyMat are readily available in 3 classic shades of grey, tan and brown leatherette.

Besides the 3 standard colours in grain, there is a range of 17 exclusive options in plain, woven and crocodile textures, in varied colours. These options are available on request. You can view our different groups of shades in leatherette on Page 27.

Other Specifications:

- Special Colours (Group I, II, III & IV) are available on request as per MOQ.
- Logo stamping is possible in Group I & II.



SavvyHangers

The most important accessory in the wardrobe of a conscientious dresser. SavvyHangers in leatherette that not only look impressive, but function brilliantly. Crafted to take utmost care of your expensive coats, trousers, dresses, scarves and more. Impressive in appearance and sturdy in nature. These exquisite leatherette SavvyHangers add luxury and comfort to your wardrobe.



SavvyHangers

The SavvyHangers are ingeniously designed according to the garment which will be hung on it.



The SavvyHanger for coats comes with wide rounded edges to snugly hold the coat in its place, and keep it upright and creaseless.



The SavvyHanger for pants has a unique foam technology for anti-slip bottom rods, to keep your pants securely on the Hanger, without forming any creases or wrinkles on them.



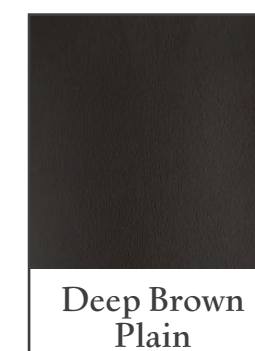
SavvyHanger - Colour Guide

SavvyHanger are readily available in 2 classic shades of tan and brown leatherette.

Besides the 2 standard colours in plain, there is a range of 10 exclusive options in plain in varied colours. These options are available on request. You can view our different groups of shades in leatherette on Page 27.

Other Specifications:

- Special Colours (Group II) are available on request as per MOQ.
- Logo stamping is possible in Group II.





SavvyShutter

Shutters have seen endless innovation... from wood to glass, to metal. But SavvyShutters in leatherette are the newest trend, and one which will have a lasting effect. Take a look at some of the most artistic SavvyShutters for wardrobes and cabinets in the rich and fascinating Leatherette.



SavvyShutter

SavvyShutters can be made with in-built handles or surface handles provided by the client. They can also be clad only on the front with trim for the sides, or can be covered in leatherette on front and back.

SavvyShutter – Size Guide

- 18mm & 28mm with HDHMR (with leather)
- 18mm & 25mm birch ply (with leather)
- Handle as supplied by client (inbuilt / external)
(if supplied in advance, screw can be hidden)
- Padding - Optional
- Door straightener (can be concealed in door)

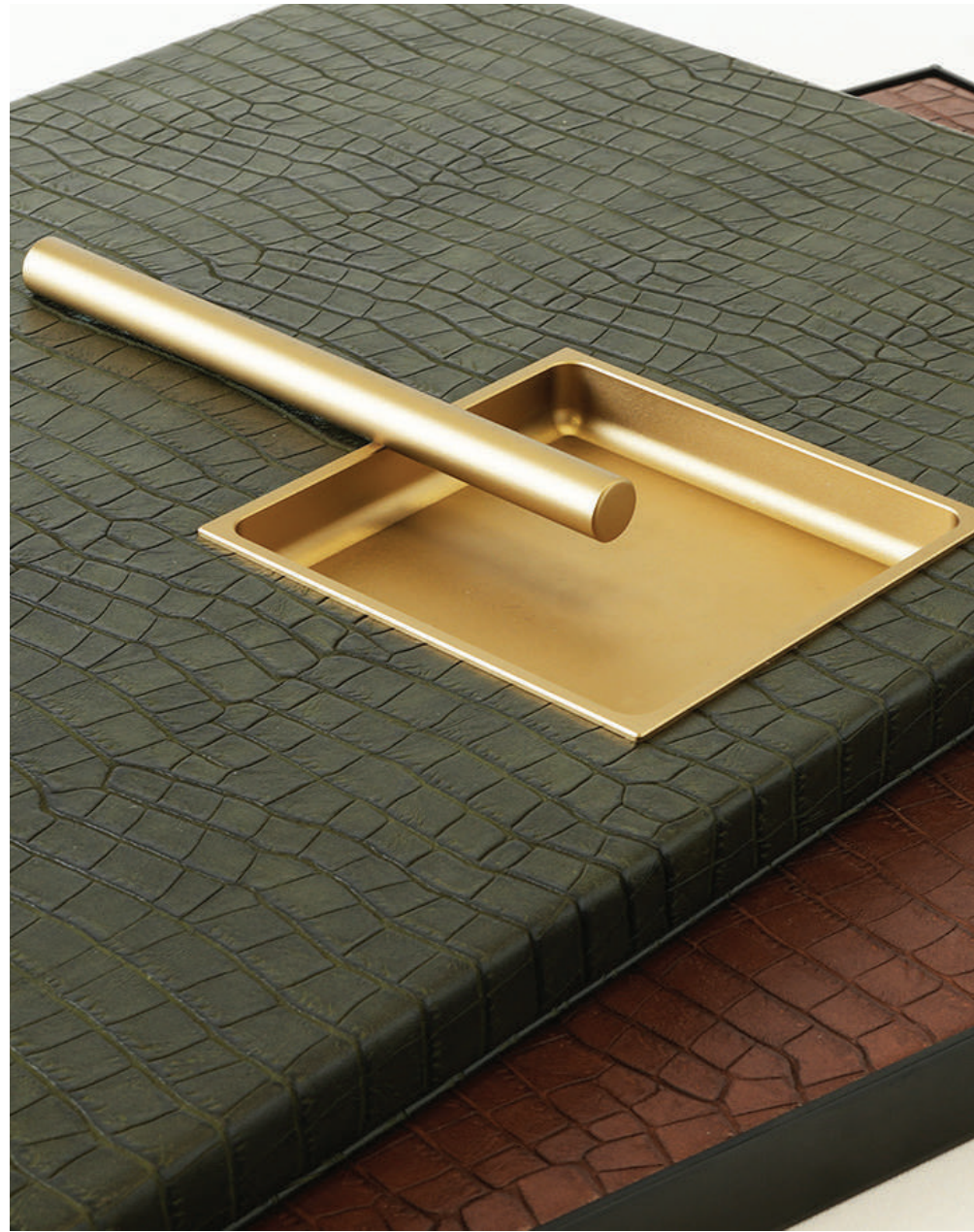


Manufacturing Excellence

The luxury of Leatherette, with the highest quality German needles and thread are brought together in perfect synergy with the precision of Durkopp Adler machines. Saviesa Leatherette wardrobe accessories are set to be the new trend on the global market place.

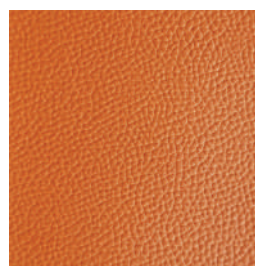


Now, you can personalise the accessories with your own name or brand logo.



Shades

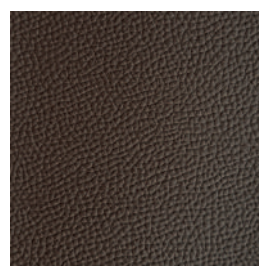
Group I - Grain finish (customised logo possible)



Natural Light
Brown Grain



Soft Grey Grain

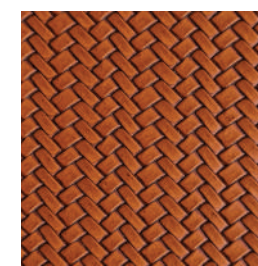


Dark Brown Grain

Group III - Woven finish (logo not possible)



Silver Woven



Metal Woven

Group II - Plain finish (customised logo possible)



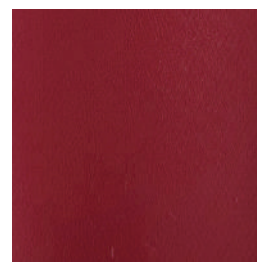
Teakwood Plain



Olive Green
Plain



Ivory Blue Plain



Berry Red Plain



Raven Black
Plain



Dazzle Pink
Plain



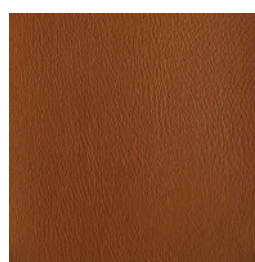
Pale Purple
Plain



Pine Blue Plain



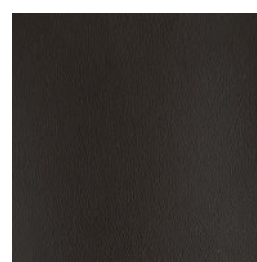
Aqua Blue
Plain



Smooth Tan
Plain



Elephant Grey
Plain



Deep Brown
Plain

Group IV - Croco skin finish (logo not possible)



Clover Green
Crocodile



Charcoal
Crocodile



Mocha
Crocodile

*Actual product colour may slightly vary from the images shown.



www.saviesahome.com | Follow us on    
info@saviesahome.com | Toll free : 1800 22 5050